

# DEUTZ TCD 5.2

Powerful, efficient, and compact.



For mobile machinery

100–170 kW at 1800–2300 rpm

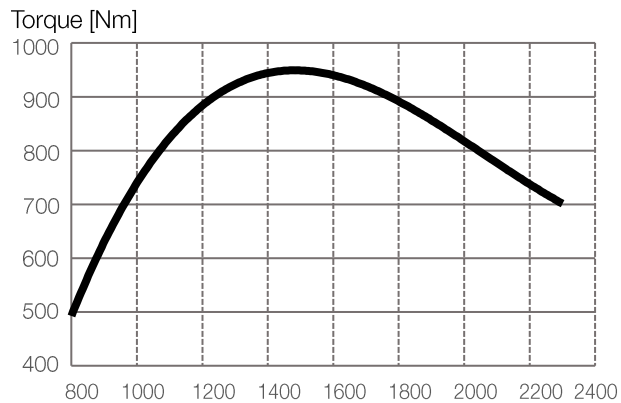
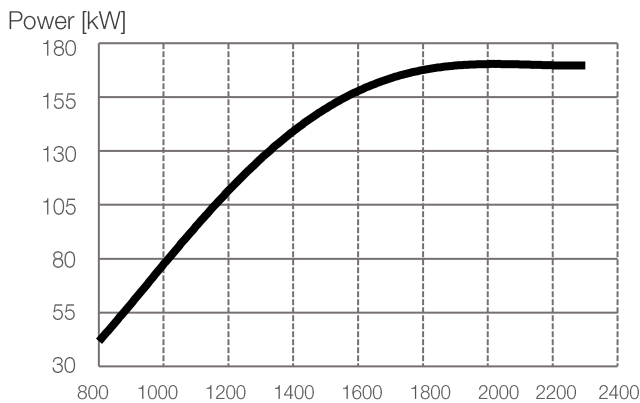
The TCD 5.2 combines the power of six cylinders with the efficiency of four.

- High-powered / up to 170 kW and 950 Nm
- Clean / certified to EU Stage V, Tier 4f, and CN 4
- Future-proof / suitable for 48V systems, biodiesel, and CNG
- Modular / versatile thanks to add-on components
- Reduced complexity / EGR-free design



STAGE **V**  
certified **V**®

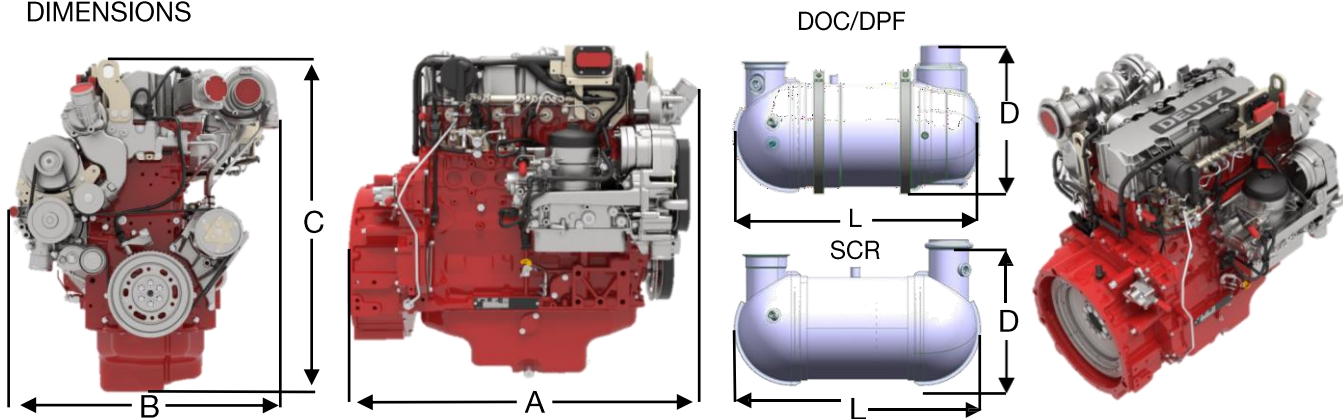
DEUTZ TCD 5.2



TECHNICAL DATA

Engine type	TCD 5.2 L4	
Number of cylinders	4	
Displacement	l	5.2
Maximum nominal speed	rpm	2300
Turbocharging	WC w. charge air cooling	
Power output as per ISO 14396	kW	100–170
At speeds	rpm	1800–2300
Max. torque	Nm	950
At speeds	rpm	1300–1500
Min. idling speed	rpm	800
Specific fuel consumption	g/kWh	193
Weight (DIN 70020 Part 7A)	kg	530

DIMENSIONS



Engine type		A	B	C	D	L	D	L	DOC/DPF	SCR
TCD 5.2	mm	949	753	973	318	640	289	635	■	■



DEUTZ AG  
 Ottostrasse 1  
 51149 Cologne  
 Germany  
[www.deutz.com](http://www.deutz.com)  
[www.sdeutz.com](http://www.sdeutz.com)